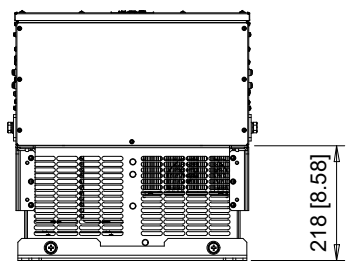


Detail A
Top mounting hole dimensions
Scale 1:2

The dimensions shown are for an IP20 Type Drive that has been converted to a U/L Type 1 Drive by adding the parts from U/L Type 1 Kit part number UUX001700



C/C:	INPUT VOLTAGE	WEIGHT	COOLING
FP65□	3-PHASE (VAC)	Kg (lb)	FANS
4361□□□	380 TO 480	141 (310.5)	2
4414□□□		150 (331.8)	3

□ denotes A-Z



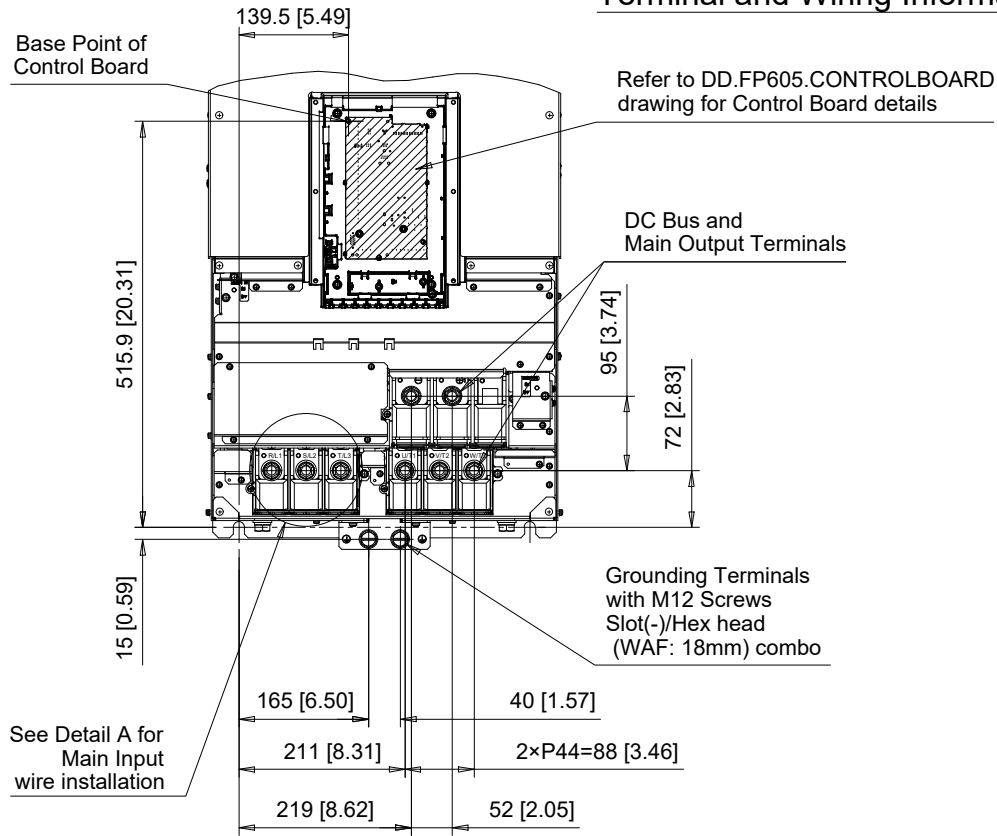
DRWN.	J. MATTAS	4-20-22
CHKD.	J. PIOTROWSKI	4-20-22
TECH.	L. UDDIN	4-23-22
APRV.	J. CAIRO	4-21-22

TITLE
FP605 DIMENSION DRAWING
FRAME SIZE 10B
IP20/UL TYPE 1 ENCLOSURE

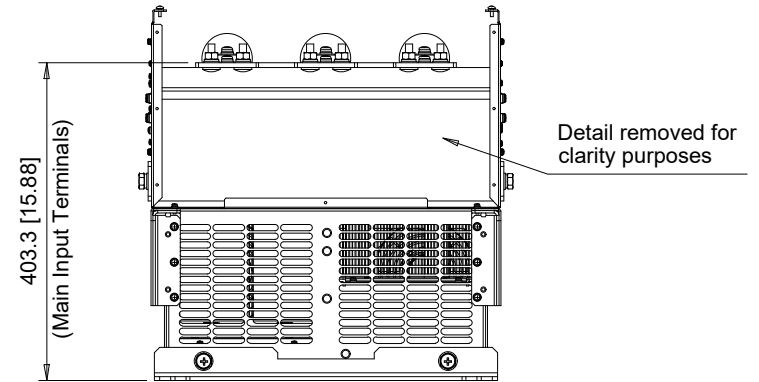
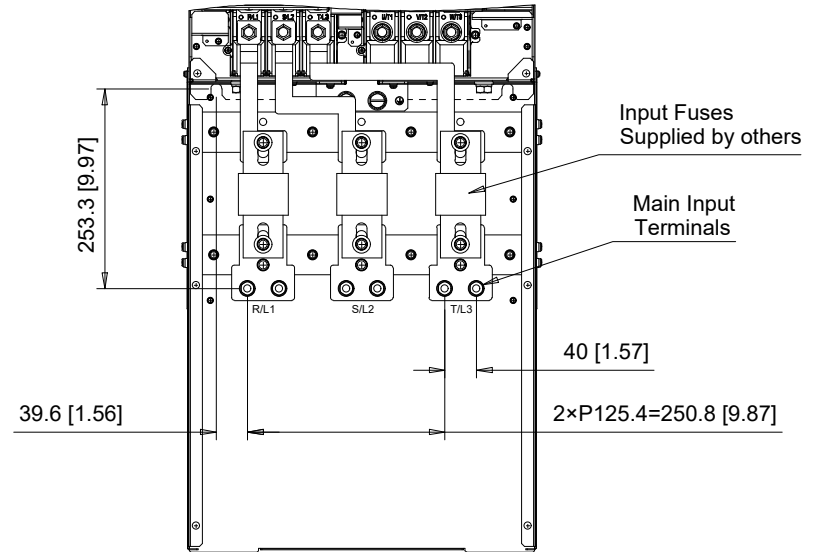
SIZE	A	PAGE	1 OF 4
DWG.NO.	DD.FP605.FR10B.T1		

REV
0

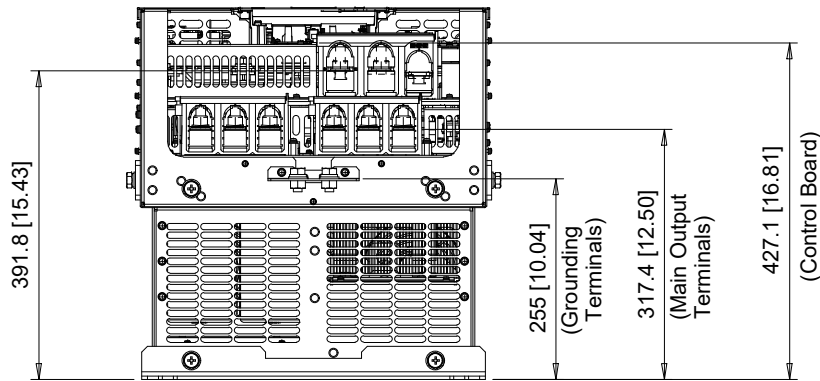
Terminal and Wiring Information for FP65□4361



Detail A - Input Terminals



Detail with Type 1 Protective Covers (Kit)



Detail without Type 1 Protective Covers (Kit)

C/C:	TERMINAL SYMBOL	WIRE RANGE AWG (mm ²)	TERMINAL SCREW	CLAMPING TORQUE N.m. (lb.in.)
FP65□	R/L1, S/L2, T/L3	2/0 - 300 x 2P (70 - 150 x 2P)	M12	35 (310)
4361□□□	U/T1, V/T2, W/T3	2/0 - 300 x 2P (70 - 150 x 2P)	M12	35 (310)
	-, +1	4/0 - 400 x 2P (120 - 205 x 2P)	M12	35 (310)
	⊕	1 - 350 (120 - 240)	M12	32 - 40 (283 - 354)

□ Denotes A-Z

Note: Refer to applicable codes and standards for proper wire type and size.

YASKAWA

UNITS MM [IN]
SCALE 1:10

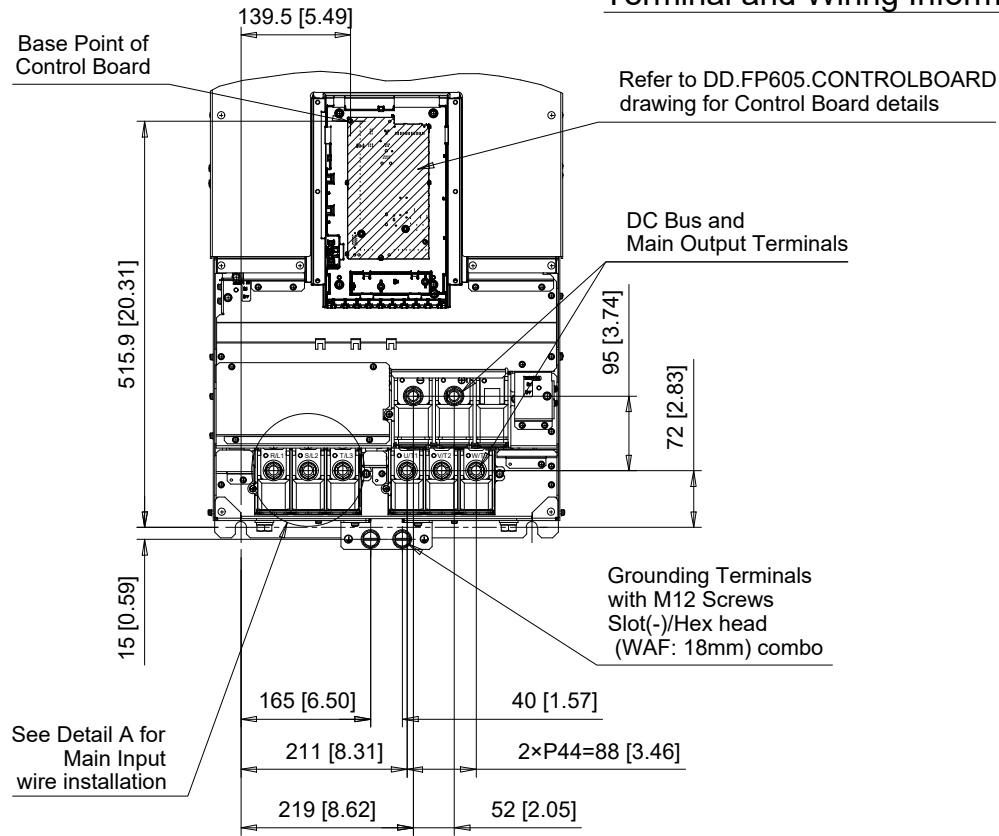
DRWN. J. MATTAS 4-20-22
CHKD. J. PIOTROWSKI 4-20-22
TECH. L. UDDIN 4-23-22
APRV. J. CAIRO 4-21-22

TITLE
FP605 DIMENSION DRAWING
FRAME SIZE 10B
IP20/UL TYPE 1 ENCLOSURE

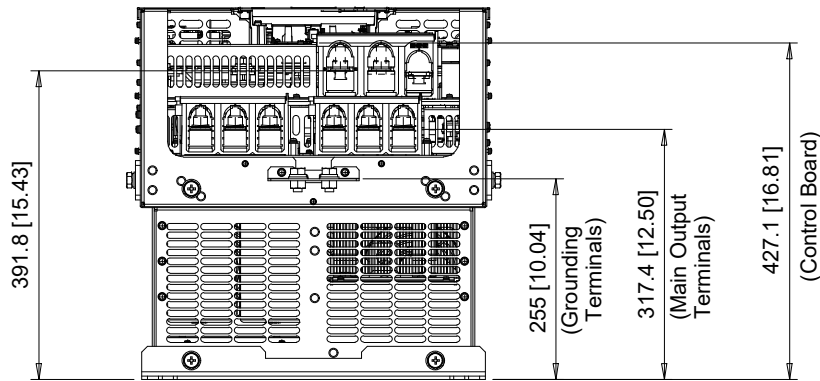
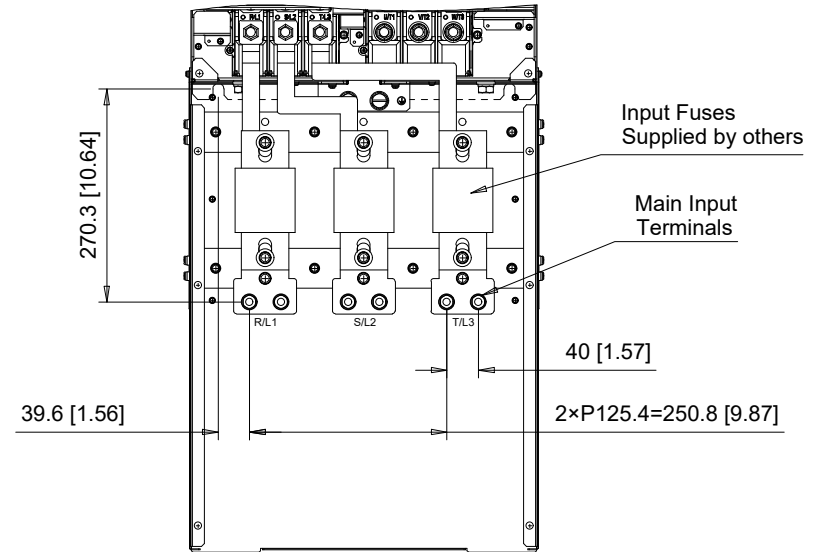
SIZE A PAGE 2 OF 4
DWG.NO. DD.FP605.FR10B.T1

REV 0

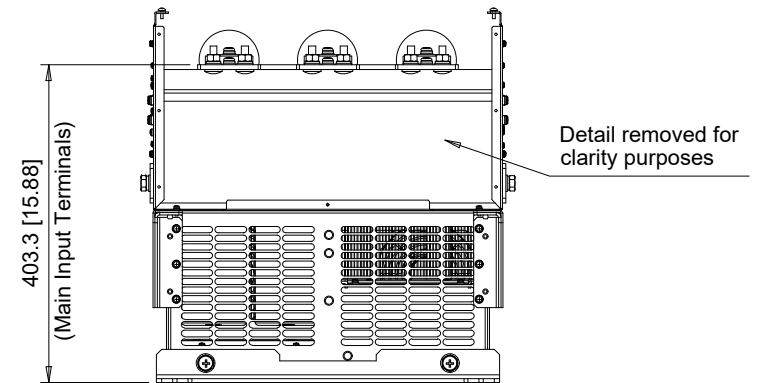
Terminal and Wiring Information for FP65□4414



Detail A - Input Terminals



Detail without Type 1 Protective Covers (Kit)



Detail with Type 1 Protective Covers (Kit)

C/C: FP65□	TERMINAL SYMBOL	WIRE RANGE AWG (mm ²)	TERMINAL SCREW	CLAMPING TORQUE N.m. (lb.in.)
4414□□□	R/L1, S/L2, T/L3	2/0 - 300 x 2P (70 - 150 x 2P)	M12	35 (310)
	U/T1, V/T2, W/T3	2/0 - 300 x 2P (70 - 150 x 2P)	M12	35 (310)
	-, +1	4/0 - 400 x 2P (120 - 205 x 2P)	M12	35 (310)
	⊕	1 - 350 (120 - 240)	M12	32 - 40 (283 - 354)

□ Denotes A-Z

Note: Refer to applicable codes and standards for proper wire type and size.

YASKAWA



UNITS MM [IN]

SCALE 1:10

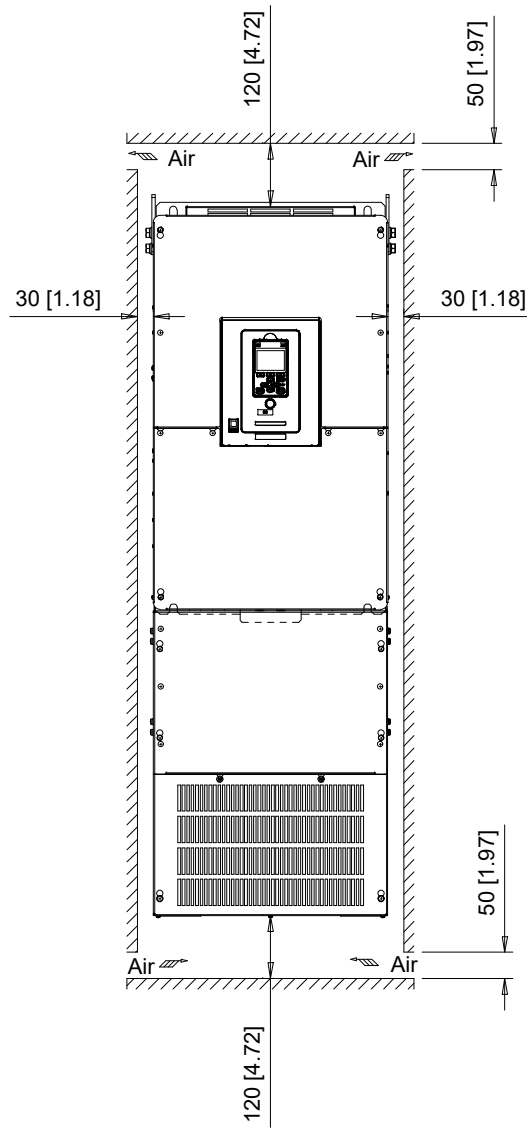
DRWN.	J. MATTAS	4-20-22
CHKD.	J. PIOTROWSKI	4-20-22
TECH.	L. UDDIN	4-23-22
APRV.	J. CAIRO	4-21-22

TITLE
FP605 DIMENSION DRAWING
FRAME SIZE 10B
IP20/UL TYPE 1 ENCLOSURE

SIZE A PAGE 3 OF 4
DWG.NO. DD.FP605.FR10B.T1

REV 0

Minimum Installation Clearances (Scale 1:15)



Note:
For alternate mounting configurations, consult manual.

YASKAWA

UNITS MM [IN]
SCALE ABOVE

DRWN.	J. MATTAS	4-20-22
CHKD.	J. PIOTROWSKI	4-20-22
TECH.	L. UDDIN	4-23-22
APRV.	J. CAIRO	4-21-22

TITLE
FP605 DIMENSION DRAWING
FRAME SIZE 10B
IP20/UL TYPE 1 ENCLOSURE

SIZE	A	PAGE	4 OF 4
DWG.NO.	DD.FP605.FR10B.T1		

REV
0